



ADDENDUM NUMBER 1

To the Contract Documents
For the Construction of

Professional Development Center
Phase 2

For
SAN BERNARDINO CITY UNIFIED SCHOOL DISTRICT
Bid No F17-07R

August 10, 2017

NOTICE TO BIDDERS

It is intended that all work affected by the following provisions shall conform to the original plans and specifications. Delete or modify each of the following items wherever appearing on Drawings, and/or Specifications. Acknowledge receipt of Addendum No. 1 in the space provided on the Contractor's Proposal. Failure to do so may subject bidder to disqualification.

GENERAL:

Item Number 1; Item Number 1; Install HAWS Model 1900 Bottle Filling Station at first and second floor drinking fountain alcoves (typical of 1 each floor) per attached drawing AR-23.

SPECIFICATIONS:

Item Number 2; Reference: Supplementary General Conditions, Omit changes to Article 3.8.1 and add Article 8.3.1 (a) to read; **Total duration is 90 Calendar Days.**

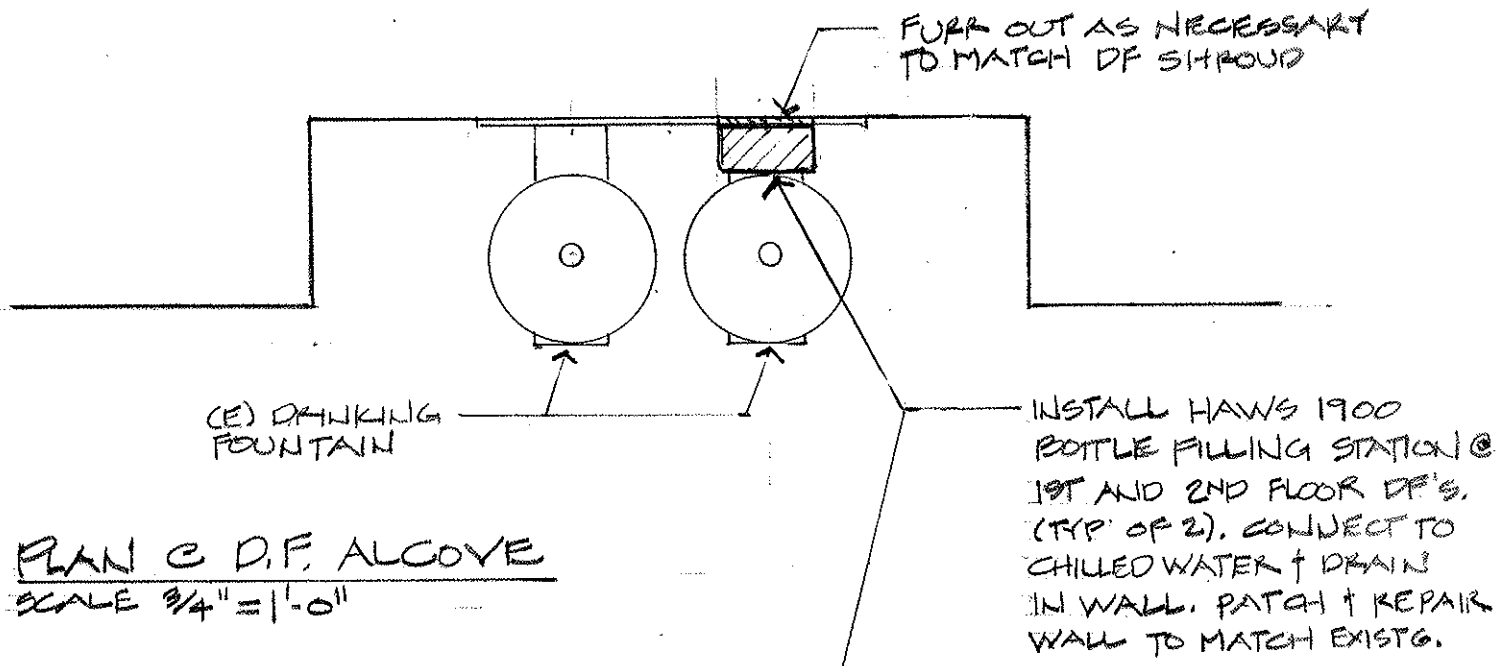
Item Number 3; Add attached Section 01800 – Demolition and Alterations.

End of Addendum 1

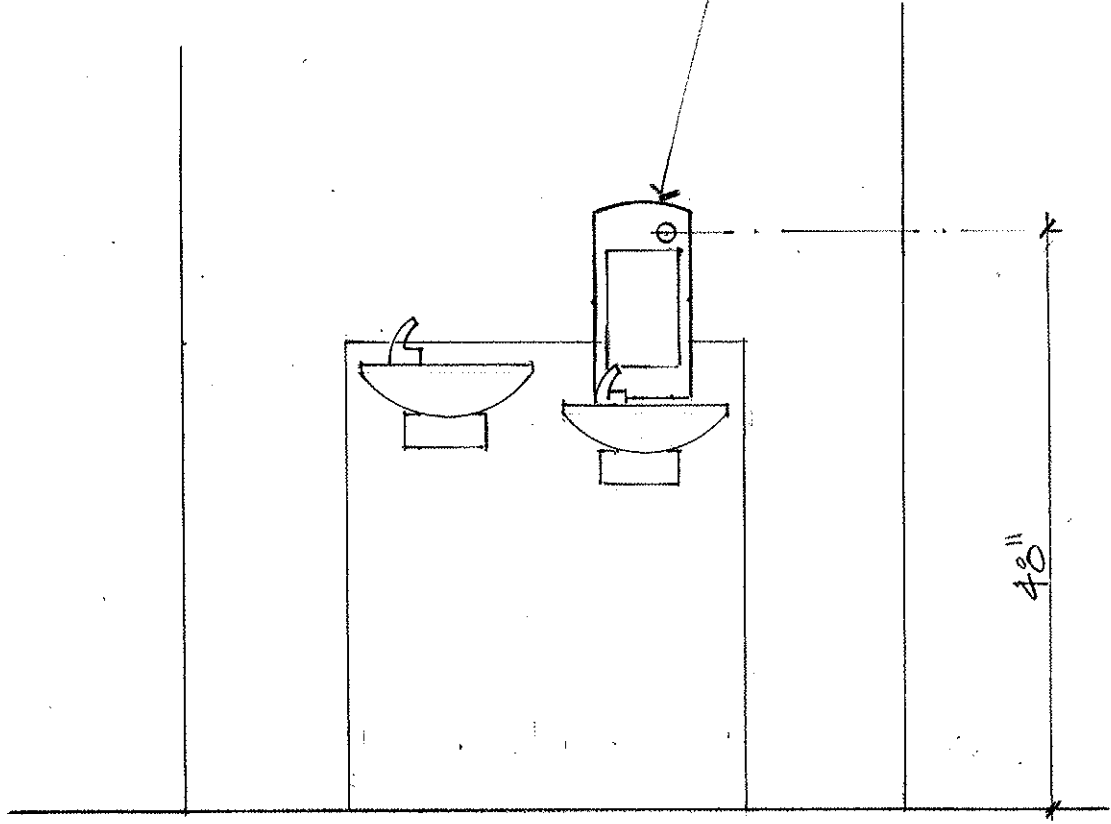
A handwritten signature in blue ink, appearing to read 'Ralph Pacini', is written over a large, loopy blue scribble.

Ralph Pacini,
PCH ARCHITECTS, LLP


Addendum No. 1
Bid F17-07R



PLAN @ D.F. ALCOVE
SCALE 3/4" = 1'-0"



ELEVATION @ D.F. ALCOVE
SCALE 3/4" = 1'-0"

| | | | |
|---|---------|---|---------------------------|
|  30 South Center Street, Redlands California 92373 Telephone: 909.792.7397 | TITLE | BOTTLE FILLING STATION | APPL. # PCH # 10962 |
| | PROJECT | PROFESSIONAL DEVELOPMENT CENTER PHASE 2 | SCALE 3/4" = 1'-0" |
| | | SAN BERNARDINO CITY UNIFIED SCHOOL DISTRICT | DATE 5/19/17 |
| | | | SHEET # AR-23 |

PART 1 - GENERAL

1.1 SUMMARY:

The work includes performing all operations in connection with demolition work as shown and noted on the drawings and as specified. The General Conditions and Division 1 apply to this section as fully as if repeated herein.

1.2 STANDARDS:

Except as modified by governing codes and regulations and the requirements specified herein or details on the drawings, demolition work shall conform to the following standards:

1.2.1 Safety Code for Building Construction ANSI A.10.2

PART 2 - SPECIAL CONSIDERATIONS

2.1 SCHEDULING:

2.1.1 Before commencing any alteration or demolition work, submit for review by the Architect and approval by the Owner, a schedule showing the commencement date, the order, and the completion dates for the various parts of work.

2.1.2 Before starting any work relating to existing utilities (electrical, sewer, water, heat, gas, fire lines, etc.) that will temporarily discontinue or disrupt service to the existing building or adjoining facilities, notify the Architect and Owner 72 hours in advance and obtain the Owner's approval in writing before proceeding with this phase of the work.

2.2 PROTECTION:

2.2.1 Make such explorations and probes as are necessary to ascertain any required protective measures before proceeding with demolition and removal. Give particular attention to shoring and bracing requirements so as to prevent any damage to existing construction.

2.2.2 Provide, erect, and maintain catch platforms, lights, barriers, weather protection, warning signs, and other items as required for proper protection of the workmen engaged in demolition operations, occupants of the building, public and adjacent construction.

2.2.3 Provide and maintain weather protection at exterior openings so as to fully protect the interior premises against damage from the elements until such openings are closed by permanent work.

2.2.4 Provide and maintain temporary protection of the existing structure designated to remain where demolition, removal, and new work is being done, connections made, materials handled, or equipment moved.

2.2.5 Take necessary precautions to prevent dust and dirt from rising by wetting demolished masonry, concrete, plaster, and similar debris. Protect unaltered portions of the existing building affected by the operations under this section by dustproof partitions and other adequate means.

- .1 In interior areas where new wall construction is to occur, provide complete dust barrier between the work area and the occupants of the building.

2.2.6 Provide adequate fire protection in accordance with local fire department requirements.

2.2.7 Do not close or obstruct exitways, walkways, passageways, or stairways without authorization of the Owner and local fire department. Do not store or place materials in passageways, stairs or other means of egress. Conduct operations with a minimum traffic interference.

2.2.8 Be responsible for any damage to the existing structure or contents as a result of insufficient protection provided.

PART 3 - EXECUTION

3.1 WORKMANSHIP:

3.1.1 Demolition, removal, and alteration work shall be as shown on the drawings. Perform such work required with due care, including shoring, bracing, etc. Be responsible for any damage that may be caused by such work to any part or parts of existing structures or items designated for reuse. Perform patching, restoration, and sections of the specifications.

3.1.2 Materials or items designated to become the property of the Owner shall be as shown on the drawings. Remove such items with care and store them in a location at the site to be designated by the Owner.

3.1.3 Materials or items designated to be reinstalled shall be as shown on the drawings. Remove such items with care under the supervision of the trade responsible for reinstallation; protect and store until required. Replace material or items damaged in its removal with similar new material.

3.1.4 Materials or items demolished and not designated to become the property of the owner or to be reinstalled shall become the property of the contractor and shall be removed from the owner's property.

3.1.5 Execute the work in a careful and orderly manner, with the least possible disturbance to the public and to the occupants of the building.

3.1.6 In general, demolish existing work in small sections. Where necessary to prevent collapse of any construction, install temporary shores, struts, or bracing.

3.1.7 Where alterations occur, cut, remove, patch repair, or refinish the adjacent surfaces or so much thereof as is required by the involved conditions, and leave in as good a condition as existed prior to the commencing of the work. The materials and workmanship employed in the alterations, unless otherwise shown or specified, shall be performed by the various respective trades that normally perform the particular items of work.

3.1.8 Finish adjacent existing surfaces as specified for new work. Clean existing surfaces of dirt, grease, loose paint, etc., before refinishing.

3.1.9 Where existing equipment and/or fixtures are indicated to be reused, repair such equipment and/or fixtures and refinish to put in perfect working order. Refinish as directed.

3.1.10 Cut out embedded anchorage and attachment items as required to properly provide for patching and repair of the respective finishes.

3.1.11 Confine cutting of existing roof areas designated to remain to the limits required for the proper installation of the work. Cut and fold back existing built-up roofing. Cut and remove insulation, etc. Provide temporary weathertight protection as required until roofing and flashings are installed. Consult the Owner to ascertain if existing guarantee bonds are in force and execute the work so as not to invalidate such bonds.

3.2 NOISE CONTROL:

3.2.1 Coordinate all loud activities with the owner prior to commencing work and be prepared to reschedule if conflicting events are scheduled in the building.

3.2.2 All motorized equipment on the site, including hauling trucks, shall be equipped with sound control devices at all times. The sound level measured at a distance of 25 feet from any piece of equipment shall not exceed 60 decibels.

3.2.3 Materials shall be lowered in fully enclosed chutes acoustically lined to maintain the sound level within the limits prescribed above.

3.2.4 Workmen's voice communication shall be kept under control at all times.

3.3 CLEANING UP:

Remove all debris as the work progresses. Maintain the premises in a neat and clean condition.

* * * * *